

## CARTS & MOUNTS

# PRESENTATION ENVIRONMENTS MEDIA CARTS

Our media carts are designed to accommodate all the equipment you need to fully support your multimedia presentations from start to finish.

- **Accommodating:** Cart comes with two cabinet heights to support desktop or tower CPUs, and shelves are fully adjustable so you get all the flexibility you need.
- **Mobile:** Locking casters and handle make the cart easy to transport and park.
- **Cord Friendly:** Removable panels on the side columns hide cords and route them to the cabinet.
- **Secure:** Locking cabinet provides protection for AV equipment.
- **Options:** Optional power strip mounts to the inside cabinet to power equipment directly from the cart. Optional keyboard tray assists with computer-driven presentations.
- **Guaranteed:** Media carts are backed by a 12-year warranty. Optional electrical component is backed by a 1-year warranty.
- **GREENGUARD Certified:** Excludes veneer options.

Available exclusively through  Herman Miller

## SPECIFICATION INFORMATION

### MEDIA CARTS

#### CASTERS

Comes with heavy-duty 4" (10.2cm) wheel plate casters, two locking.

#### COLUMNS

Each column has a perforated panel that conceals cords and routes them to various shelf locations in the cabinet interior.

### MODELS PHB5421, PHBK54


54"H (137.2cm) media cart is recommended for use with up to a 27" (68.6cm) diagonal CRT monitor.

#### SHELVES

Carts come with two adjustable exterior shelves. One of the shelves inside the cabinet is width-adjustable from 15"W to 25"W (38.1 x 63.5cm) to brace a CPU tower, and is height-adjustable in 1/4" (3.2cm) increments from 8"H to 13"H (20.3 to 33cm) to accommodate equipment. Cabinet also features two stationary shelves. All metal construction is lined with a rubber non-slip mat to protect equipment.

#### LOCKING CABINET

Removable perforated back panel with lock lets equipment ventilate, and keeps it secure. Cabinet accommodates tower CPUs and video conferencing equipment.

 **Carts ship unassembled.**

### PHB5421 & PHBK54 DIMENSIONS

#### Base (W x D)

36" x 32" (91 x 81cm)

#### Columns (W x D x H)

2" x 8" x 3' 10" (5 x 20 x 117cm)

#### Locking Cabinet Outside Dimensions (W x D x H)

31" x 23" x 21" (79 x 58 x 53cm)

#### Locking Cabinet Interior Dimensions (W x D x H)

29" x 21" x 19" (74 x 53 x 48cm)

#### Distance Between Posts

31" (78cm)

#### Usable Shelf Space (W x D)

20<sup>3/4</sup>" x 30<sup>1/2</sup>" (53 x 75cm)

### MODELS PMC5430, PCC5495, PMCKB54, PCCKB54

54"H (137.2cm) media cart is recommended for use with up to a 27" (68.6cm) diagonal CRT monitor.

#### SHELVES

Models without cabinets have three adjustable shelves and one stationary shelf. Models with cabinets have two adjustable shelves and two stationary shelves. All shelves have safety belt slots and two grommets to drop cords to the shelf below. All metal construction is lined with a rubber non-slip mat to protect equipment.

 **Carts ship unassembled.**

### MODELS PMC4430, PCC4495, PMCKB44, PCCKB44

44"H (111.8cm) media cart is recommended for use with up to a 32" (81.3cm) diagonal CRT monitor.

#### SHELVES

Models without cabinets have two adjustable shelves and one stationary shelf. Models with cabinets have one adjustable shelf and two stationary shelves. All shelves have safety belt slots and two grommets to drop cords to the shelf below. All metal construction is lined with a rubber non-slip mat to protect equipment.

 **Carts ship unassembled.**

### PCC5495, PCCKB54, PCC4495 & PCCKB44 DIMENSIONS

#### Base (W x D)

36" x 32" (91 x 81cm)

#### Columns (W x D x H)

2" x 8" x 3' 10" (5 x 20 x 117cm)

#### Locking Cabinet Outside Dimensions (W x D x H)

31" x 23" x 14" (79 x 58 x 35.5cm)

#### Locking Cabinet Interior Dimensions (W x D x H)

29" x 20" x 12"-12<sup>1/2</sup>" (74 x 51 x 30-32cm)

#### Distance Between Posts

31" (78cm)

#### Usable Shelf Space (W x D)

20<sup>3/4</sup>" x 30<sup>1/2</sup>" (53 x 75cm)

# PRESENTATION ENVIRONMENTS MEDIA CARTS

## ARTICULATING KEYBOARD

Optional keyboard must be ordered at same time as the media cart. The 18-gauge steel tray is height-adjustable and mounts to the right or left column. The tray swivels 360° and is lined with a rubber mat.

## ARTICULATING KEYBOARD DIMENSIONS

### Overall Dimensions of Tray (W x D x H)

29" x 12" x 3" (74 x 32 x 8cm)

### Keyboard Well Dimensions (W x D X H)

29" x 10" X 2/5" (74 x 27 x 1cm)

### Keyboard Arm Extended

23" (58cm)

## ACCESSORIES

### POWER STRIP

The power strip mounts to the underside of the shelf or inside the cabinet interior. The 6-outlet electrical unit comes with a 20' (609.6cm) cord and is surge and overload protected. Wood and machine screws are included.

### SAFETY BELTS

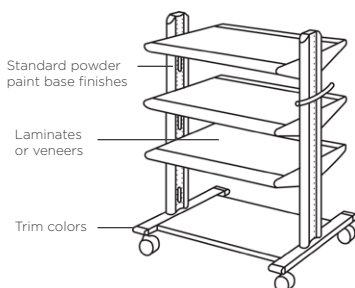
Safety belts are a smart choice if you plan to transport your media cart from room to room.



**!** Veneer media carts are NOT GREENGUARD Certified.

## Media Carts

Model #	W x D x H	Wt	List Price
PMC5430	36" x 32" x 54"	156 lbs	\$1,716
PMC4430	36" x 32" x 44"	118 lbs	\$1,540



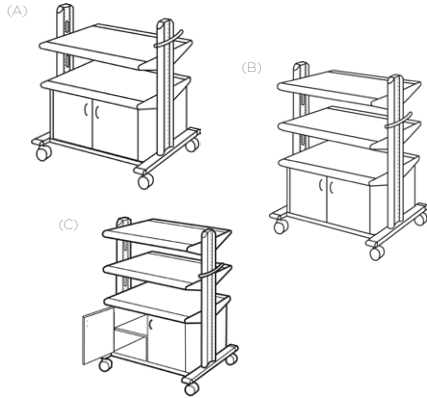
## How to Order a Media Cart:

Example: 54"H Media Cart;  
Polo Base Color; Raven Base Color.

PMC5430 - PL - R  
Model No.      Base Color      Trim Color

## CARTS & MOUNTS

# PRESENTATION ENVIRONMENTS MEDIA CARTS



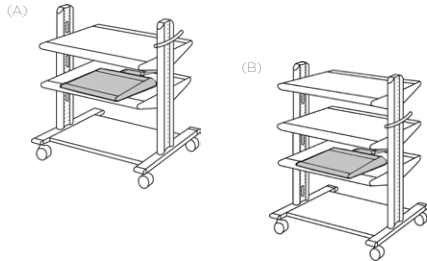
### Media Carts with Cabinet

Model #	W x D x H	Wt	Cabinet Height	Laminate	Veneer
PCC4495 (A)	36" x 32" x 44"	164 lbs	14"	\$2,645	\$2,967
PCC5495 (B)	36" x 32" x 54"	202 lbs	14"	\$2,820	\$3,151
PHB5421 (C)	36" x 32" x 54"	226 lbs	21"	\$3,035	\$3,376



⚠ PHB5421 comes with a perforated back panel.

⚠ Veneer media carts are NOT GREENGUARD Certified.

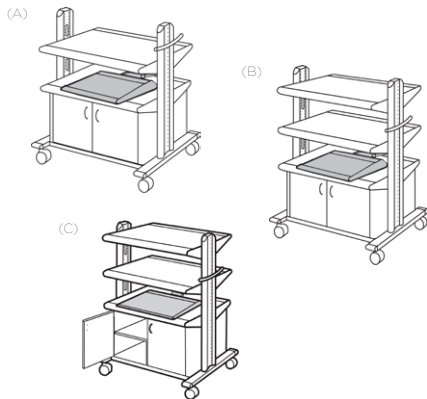


### Media Carts with Keyboard Arm

Model #	W x D x H	Wt	List Price
PMCKB44 (A)	36" x 32" x 44"	136 lbs	\$2,220
PMCKB54 (B)	36" x 32" x 54"	174 lbs	\$2,402



⚠ Veneer media carts are NOT GREENGUARD Certified.

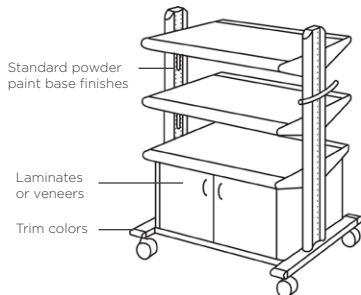


### Media Carts with Cabinet & Keyboard Arm

Model #	W x D x H	Wt	Cabinet Height	Laminate	Veneer
PCCKB44 (A)	36" x 32" x 44"	182 lbs	14"	\$3,243	\$3,598
PCCKB54 (B)	36" x 32" x 54"	220 lbs	14"	\$3,412	\$3,784
PHBKB54 (C)	36" x 32" x 54"	244 lbs	21"	\$3,629	\$4,005



⚠ Veneer media carts are NOT GREENGUARD Certified.

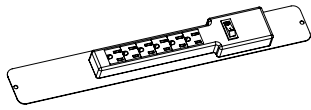


### How to Order a Media Cart with Cabinet:

Example: 44"H Media Cart with Cabinet;  
Quartz Base Color; Grey Nebula Laminate Cabinet; Quartz Trim.

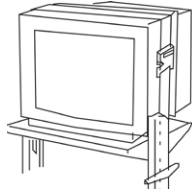
PCC4495 - QZ - 16 - Q  
 Model No.      Base Color      Laminate or Veneer      Trim Color

# PRESENTATION ENVIRONMENTS MEDIA CARTS



## 6-Outlet Surge Protected Electrical Unit

Model #	Description	Wt	List Price
SPUNIT	6 outlets with 20' cord	4 lbs	\$157



## Ratchet Safety Belt

Model #	W x L	Wt	List Price
SBRT	1" x 8'	1 lb	\$63